

Lexmark MX710 and MX711 Series Monochrome Laser Multifunction Printer

More Versatility. More Solutions. More Capacity.

There's no such thing as too much of a good thing. The Lexmark MX710 Series MFP delivers faster print, copy and scan speeds, plus productivity solutions too. For even more advanced solutions, go with the MX710dhe, or the MX711dhe with hard disk drive.



Up to 66 ppm



Multiple Media Support



Security



Duplex ADF - single pass

Unison™
TONER



MX711de/dhe

Get More Done. Even Faster.

Now you can achieve much more in less time. Smoother workflows and faster speeds are just some of the great features that will help your business be more productive.

Faster Processing - Improve your print, scan and copy speeds by taking advantage of up to 3 GB of upgradable memory, an 800 MHz dual-core processor and Gigabit Ethernet.

Reliable Performance - Easily print up to 25,000 pages per month, plus enjoy fewer maintenance hassles, thanks to our state-of-the-art paper handling.

Keep Jobs Moving - With a maximum input capacity of up to 3,300 sheets and a high yield toner cartridge, you won't have to add paper or change cartridges as often.

Get Work Done Quickly - Enjoy print and copy speeds up to 60 pages per minute, produce your first page in as little as 4 seconds and scan a two-sided document in a single pass. Want to print or copy up to 66 pages per minute? Get the MX711.

Look Professional. Work Smart.

Using a multifunction printer is easier than you think. Our system's easy-to-read touch screen saves steps with the press of a button, so you can focus more on business.

Smart and Easy to Use - A vibrant 17.8-cm (7-inch) colour touch screen on the MX710 provides access to pre-installed workflow solutions. Want a larger 25.9-cm (10.2-inch) touch screen? Get the MX711.

Front USB Port - Print without a PC using our convenient USB port that lets you walk up, preview and print PDFs and many other file formats.

Print on a Wide Range of Media - With built-in two-sided printing and the ability to print on diverse materials, you can do more for your business and use less paper.

Innovative Toner That Optimises Performance - Get greater system performance with Lexmark's Unison™ Toner, which delivers consistent image quality from first print to last.

Intelligent Workflow. Secure Design.

Our pre-loaded business solutions simplify your work processes and increase productivity. Ultra-advanced security capabilities provide maximum protection for your critical business data.

Print Anytime and Anywhere⁶ - With this system, you can print from desktops as well as mobile devices that can run applications.

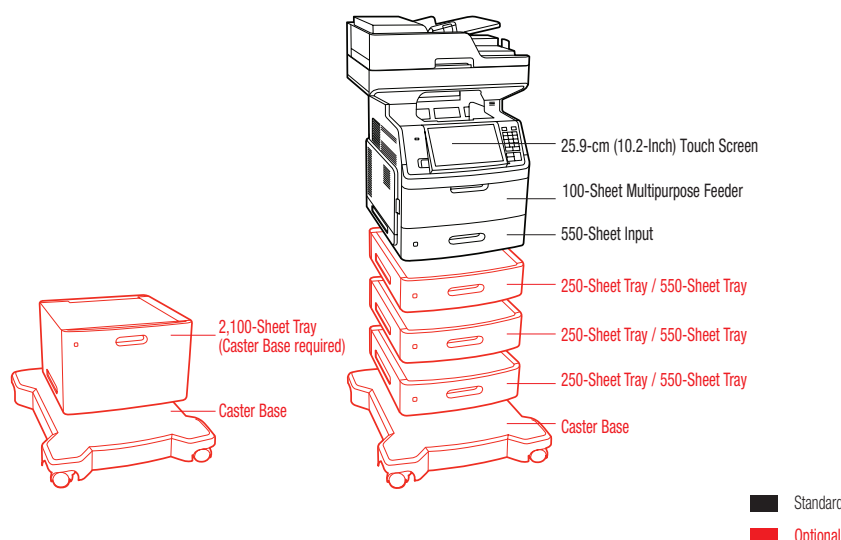
Apps Make It Easy - Pre-loaded solutions work much like mobile phone apps. Touch the screen and access shortcuts to scan, print, copy or send faxes, emails and other documents fast.

Enjoy Enterprise-level Security - Now you can authenticate, authorise and audit employee usage. You can also protect sensitive data using standard network security protocols, data encryption and disk wiping capabilities.

Identify Potential Risks - Track more than 100 variables and events, including user activity, with Audit Logging. It's designed to work with your intrusion detection system in real time.

LEXMARK™

Lexmark MX710 and MX711 Series Monochrome Laser Multifunction Printer



Product specifications	Lexmark MX710de	Lexmark MX710dhe	Lexmark MX711de	Lexmark MX711dhe
Printing				
Function	Colour Scanning, Copying, Faxing, Network Scanning, Printing			
Display	Lexmark e-Task 17.8 cm (7-inch) colour touch screen		Lexmark e-Task 25.9 cm (10.2-inch) colour touch screen	
Print Speed (A4): Up to ⁴	Black: 60 ppm		Black: 66 ppm	
Time to First Page: As fast as	Black: 4.4 seconds		Black: 4.0 seconds	
Print Resolution	Black: 1200 Image Quality, 1200 x 1200 dpi, 2400 Image Quality, 600 x 600 dpi			
Memory / Processor	Standard: 512 MB / Maximum: 2560 MB / Processor: Dual Core, 800 MHz		Standard: 1024 MB / Maximum: 3072 MB / Processor: Dual Core, 800 MHz	
Hard Disk	Option available	Included in configuration	Option available	Included in configuration
Recommended Monthly Page Volume ²	5000 - 25000 pages			
Maximum Monthly Duty Cycle: Up to ³	275000 pages per month		300000 pages per month	
Copying				
Copy Speed (A4): Up to ⁴	Black: 60 cpm		Black: 66 cpm	
Time to First Copy: As fast as	Black: 4.2 seconds		Black: 4.0 seconds	
Colour Scanning				
Scanner Type / ADF Scan	Flatbed scanner with ADF / DADF (single pass Duplex) / 150 pages 75 gsm bond			
Duplex Scan Speed: Up to	A4/Ltr, Black: 70 / 72 sides per minute - A4/Ltr, Colour: 66 / 68 sides per minute			
Simplex Scan Speed: Up to	A4/Ltr, Black: 67 / 70 sides per minute - A4/Ltr, Colour: 67 / 70 sides per minute			
Optical Scanning Resolution	300 X 300 dpi (colour), 600 X 600 dpi (mono)			
Faxing				
Modem Speed	ITU T.30, V.34 Half-Duplex, 33.6 Kbps			
Supplies⁵				
Laser Cartridge Yields	6,000 ¹ -page Cartridge, 25,000 ¹ -page High Yield Cartridge		6,000 ¹ -page Cartridge, 25,000 ¹ -page High Yield Cartridge, 45,000 ¹ -page Extra High Yield Cartridge	
Imaging Unit Estimated Yield: Up to	100000 pages, based on 3 average letter/A4-size pages per print job and ~ 5% coverage			
Cartridge(s) Shipping with Product	10,000 ¹ -page Starter Return Program Toner Cartridge		25,000 ¹ -page High Yield Return Program Toner Cartridge	
Paper Handling				
Included Paper Handling	550-Sheet Input, 100-Sheet Multipurpose Feeder, 550-Sheet Output Bin, Integrated Duplex			
Optional Paper Handling	250-Sheet Tray, 550-Sheet Tray, 2100-Sheet Tray, 250-Sheet Lockable Tray, 550-Sheet Lockable Tray			
Paper Input Capacity: Up to	Standard: 650 pages 75 gsm bond / Maximum: 3300 pages 75 gsm bond			
Paper Output Capacity: Up to	Standard: 550 pages 75 gsm bond / Maximum: 550 pages 75 gsm bond			
Media Types Supported	Card Stock, Dual Web Labels, Envelopes, Integrated Labels, Paper Labels, Plain Paper, Transparencies, Refer to the Card Stock & Label Guide			
Media Sizes Supported	10 Envelope, 7 3/4 Envelope, 9 Envelope, A4, A5, B5 Envelope, C5 Envelope, DL Envelope, Executive, Folio, JIS-B5, Legal, Letter, Statement, Universal, Oficio, A6			
General⁷				
Connectivity (standard)	One Internal Card Slot, USB 2.0 Specification Hi-Speed Certified (Type B), Gigabit Ethernet (10/100/1000), Front USB 2.0 Specification Hi-Speed Certified port (Type A), Rear USB 2.0 Specification Hi-Speed Certified port (Type A)			
Optional Network Ports / Optional Local Ports	Internal MarkNet N8350 802.11b/g/n Wireless / RS-232C Serial Interface Card, Parallel 1284-B Interface Card			
Noise Level, Operating	Print: 57 dBA / Copy: 58 dBA / Scan: 57 dBA		Print: 58 dBA / Copy: 58 dBA / Scan: 57 dBA	
Product Warranty	1-Year Onsite Response, Next Business Day			
Size (mm. - H x W x D) / Weight (kg)	727 x 548 x 578 mm / 43.3 kg			

¹ Average standard page yield value declared in accordance with ISO/IEC 19752. ² "Recommended Monthly Page Volume" is a range of pages that helps customers evaluate Lexmark's product offerings based on the average number of pages customers plan to print on the device each month. Lexmark recommends that the number of pages per month be within the stated range for optimum device performance, based on factors including: supplies replacement intervals, paper loading intervals, speed, and typical customer usage. ³ "Maximum Monthly Duty Cycle" is defined as the maximum number of pages a device could deliver in a month using a multishift operation. This metric provides a comparison of robustness in relation to other Lexmark printers and MFPs. ⁴ Print and copy speeds measured in accordance with ISO/IEC 24734, excludes first set of test documents. For more information see: www.lexmark.com/ISOspeeds. ⁵ Product functions only with replacement cartridges designed for use in a specific geographical region. See www.lexmark.com/regions for more details. ⁶ For more information on Lexmark Mobile Solutions see: http://www1.lexmark.com/en_US/solutions/business-solutions/mobile-print/index.shtml

